

### Precautions

Make sure the vehicle is securely elevated and supported with axle stands.

Wear suitable eye protection.

Always grease the Nut and Force Bar before and after every job.

On some vehicles Locktite® is applied to the bushes. To check if this is required consult your workshop manual.

If Locktite® is applied; the vehicle should not be used for 24 hrs.

**DO NOT USE AIR TOOLS WITH THIS PRODUCT**

## Rear Trailing Arm Bush Tool – BMW 3 Series

This tool is specifically designed for removing the new 'slotted' bushes on the rear trailing arm.

### Contents

1. Nut
2. Removing Sleeve – slotted
3. Replacement Sleeve
4. Forcing Sleeve - Large
5. Force Bearing Assembly (Spare Part No1803)
6. Force Bar (Spare Part No 1792)
7. Forcing Sleeve - Small

### Before you start

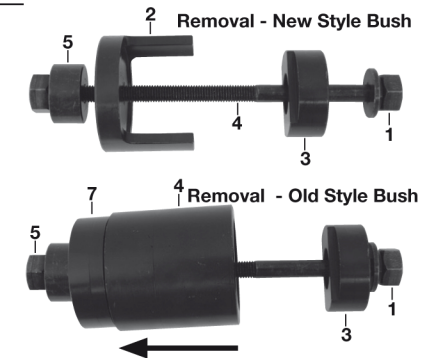
1. Jack up the rear end of the vehicle and support with axle stands
2. Remove the rear wheels
3. Make sure you are clear on the re-alignment of the new bushes
4. Make sure the brake hoses are kept away from the work area to avoid damage.
5. You will need 2 x 24mm Ring Spanners or Sockets

### Application

BMW 3 Series E36 | E46 | E46 Compact

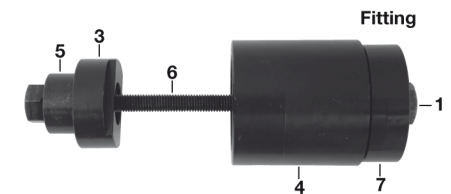
### Instructions – Removal

1. Mark the position of the existing bush prior to removal
2. Lubricate Nut, Bar and Force Bearing Assembly
3. Assemble the tool through the trailing arm as below ensuring the Nut is attached to the short thread end of the bar and hold with a 24mm Spanner or Socket
4. If the new Slotted style bush is installed, select item 2 and 3
5. If a standard bush is installed; select items 3, 4 & 7
6. With the Force Bearing Assembly fixed to other end of the bar use a 24mm socket and turn clockwise until the bush is forced down into the forcing sleeve.



### Instructions – Replacement

1. Check with your workshop manual to see if an adhesive is recommended
2. Re-grease the Force Nut Assembly and the bar
3. If using a new slotted bush this needs to be compressed using (4) before inserting it into the trailing arm.
4. Make sure the slot of the bush is correctly aligned with the marking on the Forcing Sleeve (4) which is then aligned to the mark made before removal of the existing bush
5. Re-assemble the tool using the Replacement Sleeve (3) the Forcing Sleeve (4) and the small Forcing Sleeve (7)
6. Attach the Force Bearing Assembly onto the bar
7. Hold the Nut (1) with 24mm socket or spanner as before
8. Turn the Force Bearing Assembly (5) clockwise to force the bush into place.



### Perform task on the other side if necessary

Due to the nature of the task the nut and bar are considered consumable and not therefore covered by the Tool Connection guarantee.

Spare parts can be obtained from your Motor Factor/Car Accessory Shop.