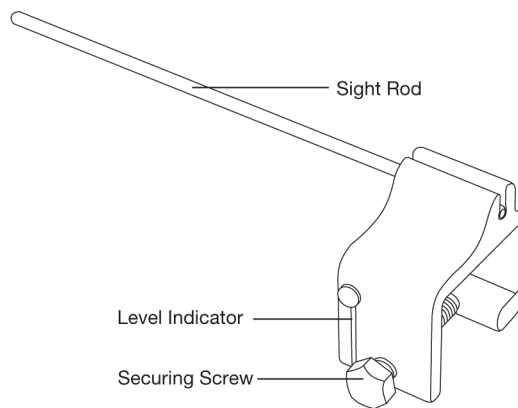
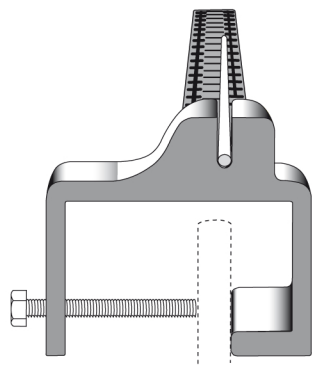
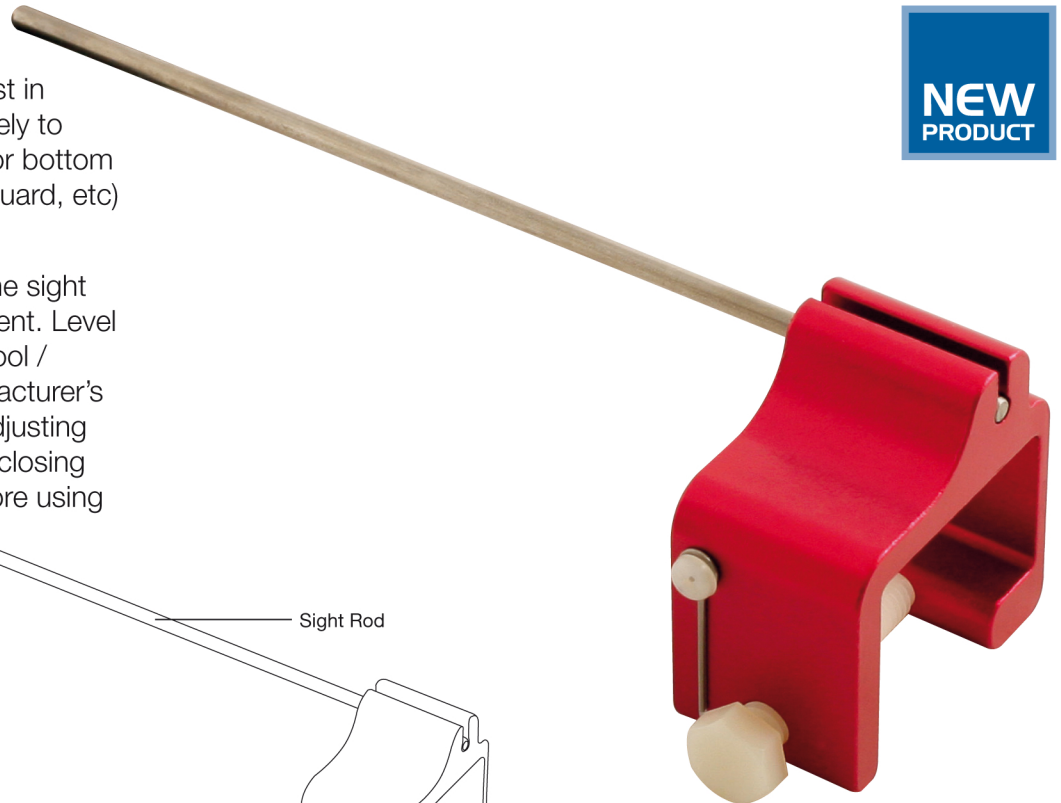


# Motorcycle Chain Alignment Tool

**NEW  
PRODUCT**

Used as a visual guide to assist in chain alignment. Clamp squarely to chain sprocket (either on top or bottom depending on access, chain guard, etc) and tighten securing screw.

Sight from rear of tool along the sight rod to determine chain alignment. Level indicator will assist in keeping tool / sight rod level. Refer to manufacturer's instructions for aligning and adjusting chain. If chain guard is fully enclosing it will have to be removed before using alignment tool.



## Description

This motorcycle chain alignment tool is quick and easy to use

## Packaging

Half Blister

## Additional Information

- Manufactured from durable aluminium
- Chain alignment is vital to maximise chain life